

ottobock.

Ottobock Aqualine

Dive in!



Quality for life

Quality waterproof walking devices

Ottobock Aqualine

Ottobock has optimised components of the modular system specifically for the challenges presented by wet areas, and matched them to each another.

Activities within wet areas present a special challenge to both amputees and non-amputees. Both adjust to this situation by behaving accordingly, e.g. by walking at an appropriate speed. Additionally an amputee will depend on the prosthesis being designed to meet the special challenges faced in these areas, so that the artificial leg can be reliably used.

Aqualine encompasses a comprehensive range of products that include numerous waterproof prosthesis components such as knee joints, feet, and various waterproof parts such as valves, shuttle locks, and liners. This already extensive system has now been supplemented with the addition of a functional and optically pleasing cosmetic solution – the Aqualine Cover.

The components can be combined to form a waterproof modular system that is suitable for amputees up to a body weight of 150 kg.





Requirements for a waterproof walking device

► Water-resistance

Prosthesis components must be permanently resistant to water and corrosion, and contact with chlorine or soap should not impair their functionality.

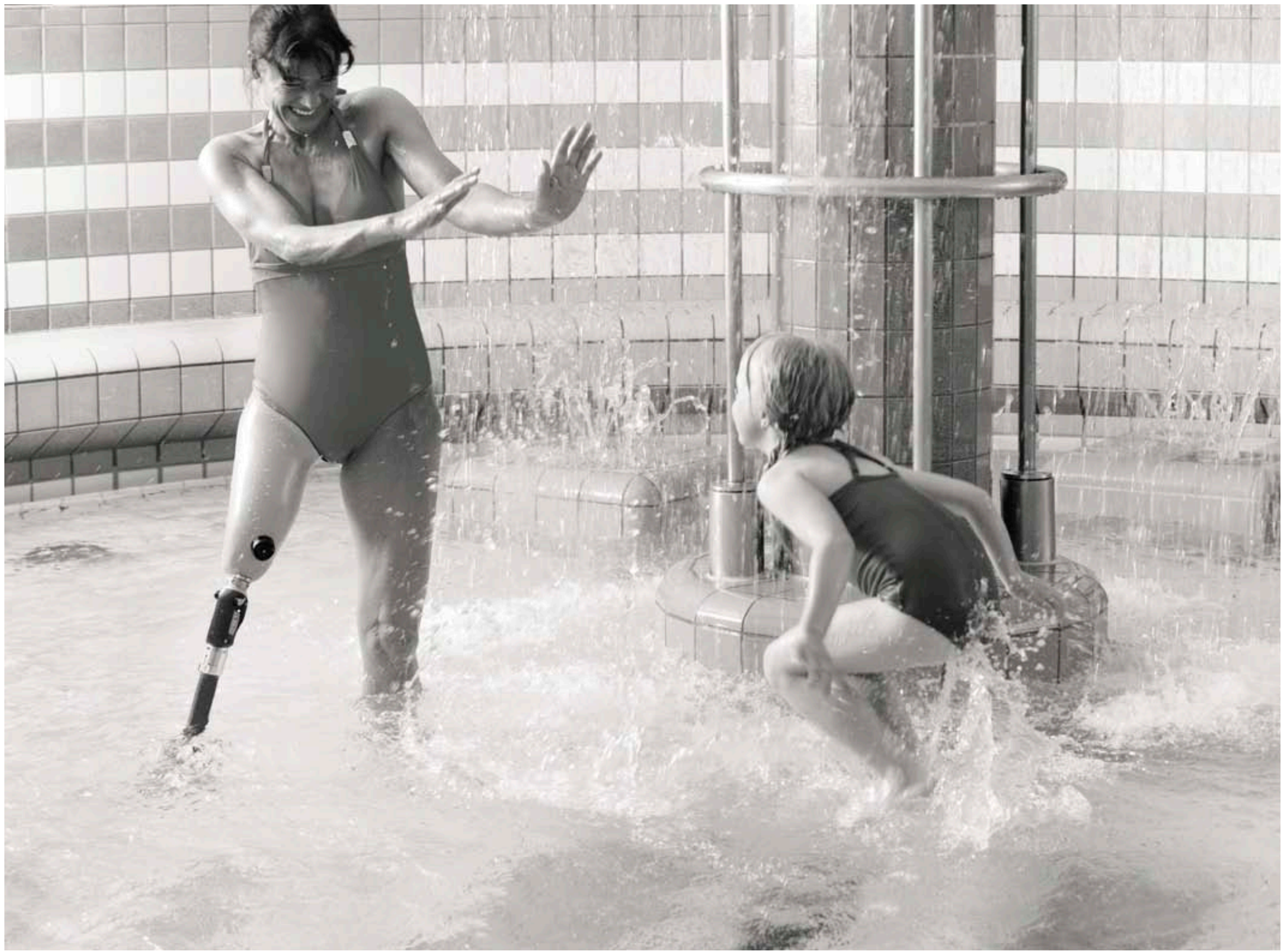
► Safety

The risk of slipping is especially high in wet areas. Mechanisms for stance phase control are thus particularly important.

► Natural appearance

Swimwear exposes the prosthesis. High expectations are therefore placed on appearance, which should be as natural and discreet as possible.







The unbeatable duo

Aqua Foot and Aqua Knee



When it comes to functionality, the Aqua Foot and Aqua Knee are a combination of components optimised for use in waterproof walking devices.

The **Aqua Foot** features a high degree of anti-slip functionality and provides an additional level of safety for the stance phase in wet areas.

With its integrated lock, the **Aqua Knee** can be locked on demand for activities in and around water, a feature that also contributes to a more stable stance phase. For using in an unlocked state, the integrated miniature hydraulics serves to adjust the swing phase to the individual requirements of the amputee.

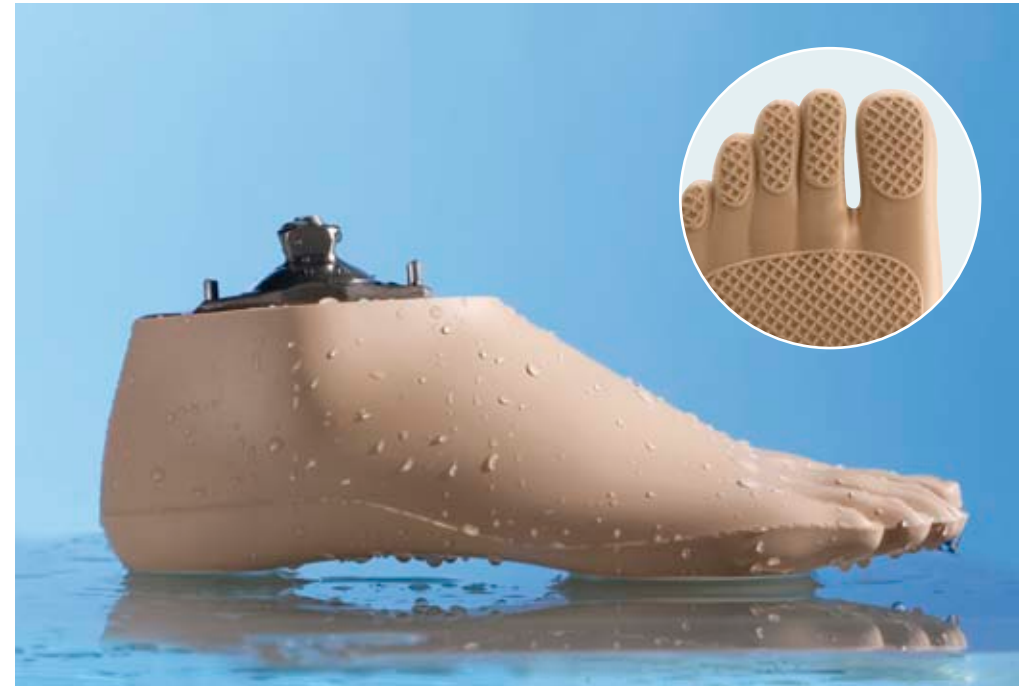
Aqua Foot and Aqua Knee

Product features



3WR95 Aqua Knee

- Water-resistant
- Monocentric
- Integrated lock for additional stance phase control
- Lightweight design
- Miniature hydraulics based on 3R95 technology
- Individually adjustable swing phase



1WR95 Aqua Foot

- Water-resistant
- Very good traction thanks to a special material composition and shape
- Grid-shaped profile on the sole
- Natural shape with defined toes and abducted big toe
- Core with robust multiplex structure; the modular foot version is already factory-sealed against water penetration
- Sole sealed with a plug

Quality connects

Adapter and socket options



6Y40 Silicone Liner

- Durable silicone liner with distal connection
- Thin-walled, making it flexible and easy to don and doff
- In waterproof walking devices, use only in combination with the 6A30=20 Shuttle Lock



6A30=20 Shuttle Lock

- Lightweight design
- Integrated locking unit for easy unlocking even under tension
- Continuous locking without "clicking noises" while walking
- For use with the 6Y40 Liner



21Y14 Push Valve

- Threadless design/easy to use
- Audible signal indicates safe position of the valve



Adapter

- Optimised corrosion-resistance
- Flooding channels to prevent the prosthesis from floating up when stepping into water
- Angled/set versions available as the basis for optimised prosthesis alignment



Technical data and order examples



Aqua Knee

Article Number	3WR95
Proximal connection	Pyramid adapter
Distal connection	Pyramid adapter
Knee flexion angle	135°
Weight	approx. 400 g
System height	62 mm
Proximal system height up to the alignment reference point	6 mm
Distal system height up to the alignment reference point	56 mm
Material	Aluminium
Max. body weight	150 kg



Aqua Foot

Article Number	1WR95				
Heel height	0 mm				
Sides	left (L), right (R)				
Sizes	24 cm	25 cm	26 cm	27 cm	28 cm
System height with adapter	61 mm	64 mm	67 mm	70 mm	72 mm
Weight with adapter	~ 507 g	~ 556 g	~ 629 g	~ 671 g	~ 704 g
Structural height without adapter	72 mm	75 mm	78 mm	81 mm	83 mm
Weight without adapter	~ 437 g	~ 486 g	~ 559 g	~ 601 g	~ 634 g
Max. body weight	150 kg				
Colours	beige (4)				

Order example

Article No.	=	Side	Size	-	0	-	Connection	/	Colour	
1WR95	=	L	26	-	0	-	W	/	4	Version for exoskeletal design
1WR95	=	L	26	-	0	-	P	/	4	Version with adapter for modular design



Liner

Article Number	6Y40
Connection	with distal connection
Wall thickness	from approx. 4.5 mm distally, tapering to 2.5 mm proximally
Sizes (in mm, see also distal circumference)	120, 140, 160, 180, 200, 210, 220, 235, 250, 265, 280, 300, 320, 340, 360, 380, 400, 420, 450

Order example

Article No.	=	Size
6Y40	=	280





Technical data and order examples



Recommendations for selecting adapters

- For transfemoral fittings with the 3WR95, we recommend using the 4WR95=1 Lamination Anchor. In this case, the connection to the knee joint is formed directly by the lamination anchor. Gaps that may need to be bridged must be closed by filling the socket with foam.
- The 4WR95=1 is only suitable for use in the thigh area.
- We recommend using the 2WR95=1 Angled Tube Adapter to achieve the full range of adjusting options for bench alignment of the waterproof walking device using the 1WR95 Aqua Foot on 0 mm heel height according to the Ottobock alignment recommendations.

Adapter

Article Number	2WR95	2WR95=1	4WR95=1	4WR95=2	4WR95=3
Description	Tube Adapter	Tube adapter, angled	Lamination anchor with pyramid receiver	Lamination anchor with pyramid adapter	Tube clamp adapter
Diameter	34 mm	34 mm	-	-	34 mm
System height	-	-	44 mm	2 mm	33 mm
Min. system height	77 mm	78 mm	-	-	-
Max. system height	472 mm	473 mm	-	-	-
Weight	330 g	330 g	165 g	165 g	105 g
Angle	-	6°	-	-	-
Material	Titanium	Titanium	INOX ¹	INOX ¹	Titanium
Max. body weight	150 kg	150 kg	150 kg	150 kg	150 kg

¹ Stainless steel



Waterproof and aesthetic Aqualine Cover

With the Aqualine Cover, Ottobock is offering a natural cosmetic solution for waterproof transfemoral modular prostheses. It is specially designed for use with the 3WR95 Aqua Knee and the 1WR95 Aqua Foot and can be obtained exclusively via Ottobock Service Fabrication.

Here the different base sizes are customized to the individual patient and the calf component is coated with Super-Skin. The coating is water-resistant and imparts to the cover a very pleasing surface feeling.

The cover consists of a proximal and a distal connecting part, both of which are fully or partially covered by an impact-resistant and at the same time flexible calf component. The plug connection between the calf component and the distal connecting part gives the cover sufficient flexibility to compensate for

the patient-customized alignment. The distal connecting part also forms a natural transition to the Aqua Foot. The Aqualine Cover can be donned and doffed by the user himself and is thus also easy to clean.



• Modular construction of the cover



Waterproof and aesthetic Aqualine Cover



Perfect fit, flexible

- Recesses make it easy to operate the lock of the Aqua Knee
- Good and even load transfer while kneeling



Floodable, resistant

- No buoyancy in water due to floodable construction
- Inwardly located openings of the distal connecting part make it easy for water to drain off quickly and inconspicuously



Natural, discreet

- Natural and optically appealing outer contour
- Harmonious overall effect due to the colour-matched connecting parts, calf component and Aqua Foot



Aqualine Cover Measurement Form

Fax orders to: +49 5527 848-1585

Contact person	Customer number	Date
Customer		
Shipping address (if different from customer address)		
Company	Company	
Street	Street	
Postal code/city	Postal code/city	
Patient name	Telephone	

Patient information

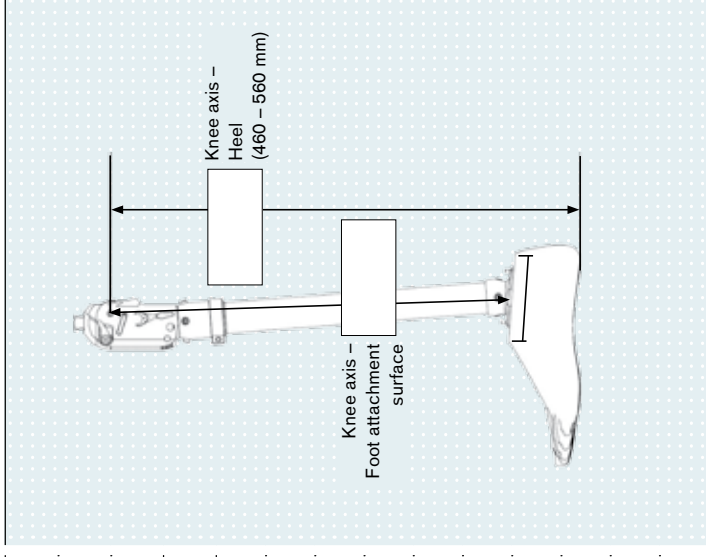
Side left right

Mobility grade _____

Weight _____

Foot size	Calf circumference	Allowable knee axis-heel measurement	Measured knee axis-heel measurement
<input type="checkbox"/> 24	S (330 mm)	460 – 510 mm	_____ mm
<input type="checkbox"/> 24	M (370 mm)	500 – 560 mm	_____ mm
<input type="checkbox"/> 25	S (330 mm)	460 – 510 mm	_____ mm
<input type="checkbox"/> 25	M (370 mm)	500 – 560 mm	_____ mm
<input type="checkbox"/> 26	M (370 mm)	460 – 560 mm	_____ mm
<input type="checkbox"/> 26	L (410 mm)	510 – 560 mm	_____ mm
<input type="checkbox"/> 27	M (370 mm)	460 – 560 mm	_____ mm
<input type="checkbox"/> 27	L (410 mm)	510 – 560 mm	_____ mm
<input type="checkbox"/> 28	M (370 mm)	460 – 560 mm	_____ mm
<input type="checkbox"/> 28	L (410 mm)	510 – 560 mm	_____ mm

Prosthesis data



Further Aqualine components (modular design)

- Include components in delivery Complete assembly 635Z56 Super Skin Repair Kit
- 6Y40= _____ (size) Silicone Liner or 21Y14 Push Valve 21Y21 ClickValve
- 6A30=20 Shuttle Lock
- 4WR95=1 Lamination Anchor with Pyramid Receiver 4WR95=2 Lamination Anchor with Pyramid Adapter
- 3WR95 Aqua Knee
- 4WR95=3 Tube Clamp Adapter 2WR95 Tube Adapter
- 1WR95= Aqua Foot (with Pyramid Connector) 2WR95=1 Tube Adapter, angled

Side: left right Foot size: _____

Date _____ Place _____ Signature _____

Otto Bock HealthCare GmbH
Max-Näder-Straße 15, 37115 Duderstadt/Germany
T +49 5527 848-0 · F +49 5527 848-1524
export@ottobock.de · www.ottobock.de